

# MANIACCESS

■ **160 ATJ**  
**180 ATJ**

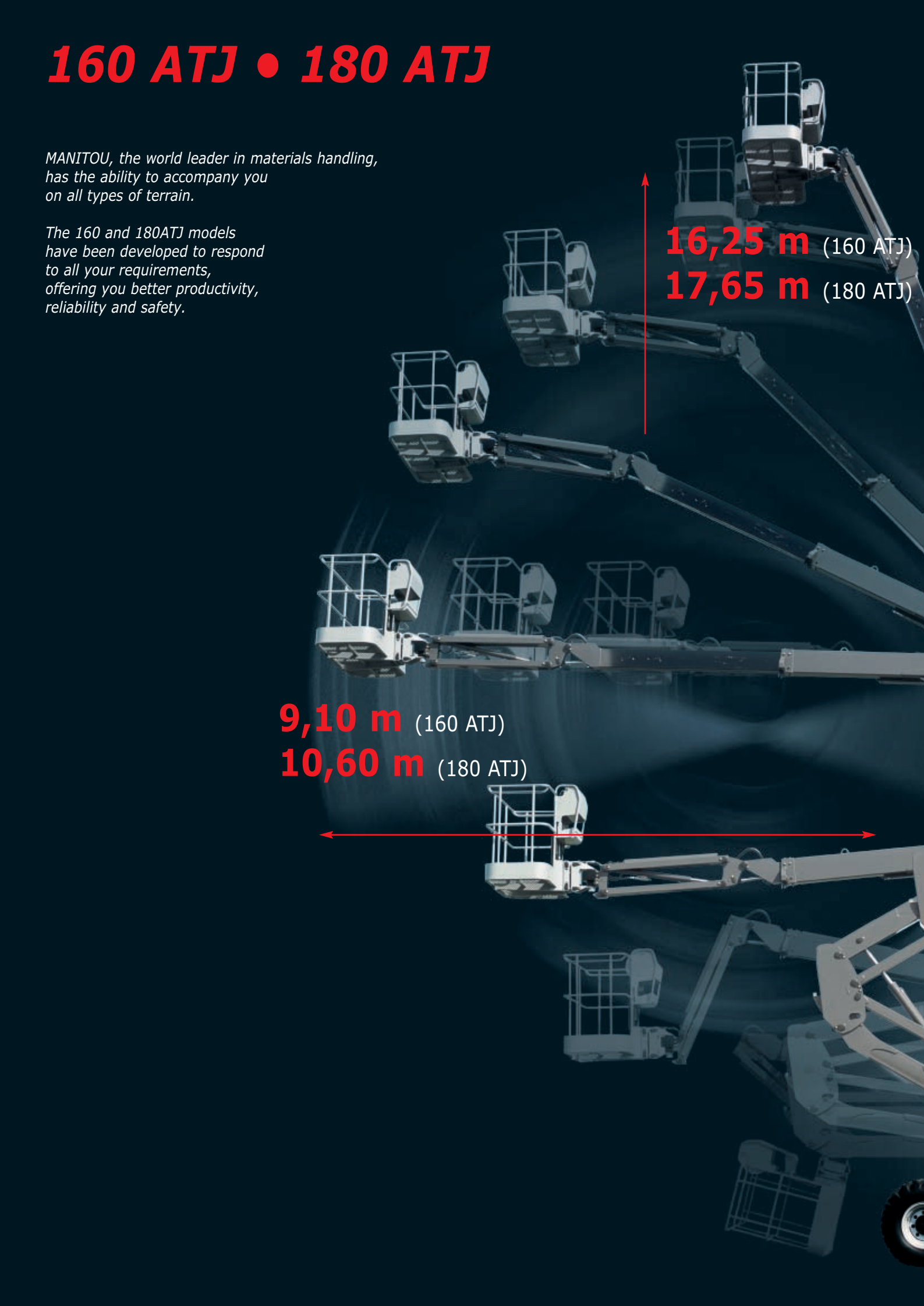


 **MANITOU**

# 160 ATJ • 180 ATJ

*MANITOU, the world leader in materials handling, has the ability to accompany you on all types of terrain.*

*The 160 and 180ATJ models have been developed to respond to all your requirements, offering you better productivity, reliability and safety.*



**16,25 m** (160 ATJ)  
**17,65 m** (180 ATJ)

**9,10 m** (160 ATJ)  
**10,60 m** (180 ATJ)



## Designed to access the most restricted areas

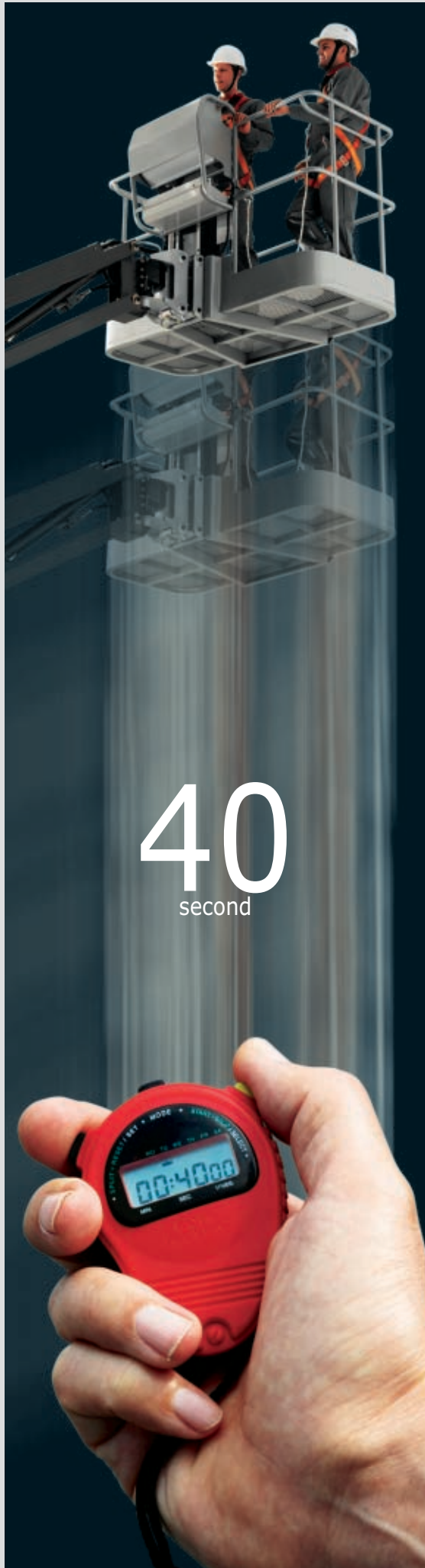
**Excellent Outreach**

Outstanding outreach offered by both models.



**PRODUCTIVITY**

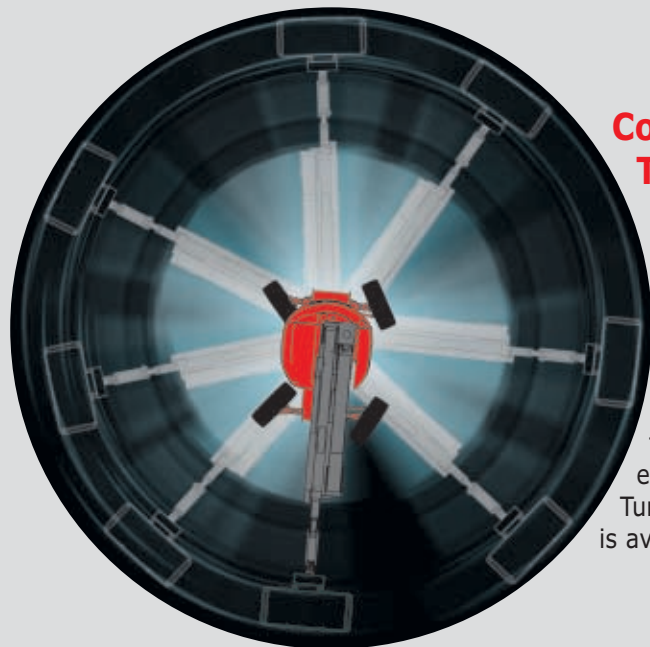
# Saving Time



40  
second

## Elevates to full height in 40 seconds

You can elevate to full height in 40 seconds, due to the proportional controls and 4 simultaneous movements (arms 1, 2, 3 and jib), ultimately saving the operator time.



## Continuous Turret Rotation (Optional Extra)

In order to save even more time, the optional extra of Continuous Turret Rotation is available.

# Speed

## Select from three different speeds

To make driving of the machine easier and safer you have three speed options to choose from.

For normal ground conditions choose high speed.

For restricted and congested areas use low speed, this will allow the operator to position the machine safely.

The third speed is a slow torque speed;

this is designed to allow the machine to access lorry ramps and cope with rough terrain conditions.



## Transport of Machine

For its size and weight, the machine can be easily transported by truck from one site to the other.

Plus the machine can be stowed in its transport position to save even more space.



PRODUCTIVITY

# Compact and Manoeuvrable

## Three steering options



Four Wheel Steer



Crab Steer



2 Wheel Steer

These different steering options give the operator the opportunity to overcome a large number of obstacles.

2 Wheel Steer is designed to allow the operator to drive in fast speed mode.

4 Wheel Steer offers a tighter turning circle (engine automatically reduces to slow speed for Safety).

The 4 Wheel crab steer position allows the operation to use a different (sideways) approach.



## Jib Arm

Whilst travelling in the machine the raised jib will give the operator excellent visibility for a safe driving experience.



In order to pass obstacles, like a doorway, you can position the jib horizontally.



In working mode, the jib arm allows the platform to be positioned overhanging obstacles, increasing access opportunities.



# Access all terrains

## Excellent rough terrain performance

MANITOU has used all its rough terrain experience and adapted this knowledge to suit the 160 and 180ATJ models.

The powerful 45hp engine complete with four wheel drive and large 18" tyres enable the 160 and 180ATJ models to cope with the most arduous types of terrain.

The four wheel drive transmission system makes driving easier by automatically adapting its speed to the changes in terrain and also offers up to 40% gradeability on rough terrain.



## Better Ground Clearance

With an impressive 42cm ground clearance, the 160 and 180ATJ can overcome most terrains.

## Oscillating Axel (Optional Extra)

If you regard comfort as a priority when travelling across uneven ground, there is the optional extra of an Oscillating axle. The oscillating axle will cushion the operator against uneven ground and reduce the sway of the machine when travelling.



PRODUCTIVITY

# Reduction in maintenance costs

## Can Bus Technology

This innovative technology installed in the base unit of the machine, simplifies the electrical system into only 2 wires, thus reducing the possibilities of breakdowns. This system also allows you to detect problems with the machine.



## Assistance integrated diagnostic

There is no longer any need for a technician to intervene with his pocket calibrator. Today, thanks to this technological innovation, the calibrator is integrated into the machine. This allows the technician to carry out a full diagnostic test on the machine while still on site. There is an on-screen display which highlights the faults and origin of the breakdown. If required the MANITOU dealer can also assist by telephone.

## Integrated Maintenance

Maintenance operations are now solved more quickly and easily.



## Simple starting operation

A pre-heating system assists the starting of the machine.



## Easy access to engine compartment



# Robustness



## Protected control panel

To overcome difficult working conditions, the basket control panel is protected by a heavy duty sliding cover.

This cover gives protection from numerous applications like painting, demolition, high pressure cleaning etc.

Also the cover will provide protection while the machine is stored overnight.

## Rigid articulation structure

The reinforced arm structure increases the stability of the machine and increases the operators comfort while working.



## More robust basket rotation

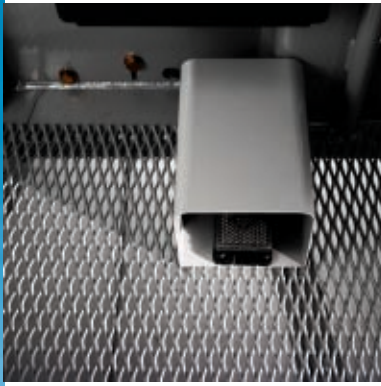
The rotation of the basket has been made more robust and reliable due the fitting of a new basket rotation motor.

RELIABILITY

# Safety

Conforming to European directives,  
your machine will be equipped  
with all the necessary safety systems.





## Dead Man's Pedal

For safety, all the platform operations from the basket require the use of the dead man's pedal. To avoid any objects being placed accidentally upon the Dead Man's pedal it is protected by a cover.

## Safety Valves on lifting rams

There are safety valves on all hydraulic rams in the articulated arms.



## Two Control Panel

For added safety the lower control panel can override the basket control panel. However the emergency stop button can be deployed to avoid any accidents.

## Overload Protection

If the safe working load is exceeded, a hidden detector will block any upward movement.



## Tilt Detector

As soon as a machine exceeds a 9% tilt, the tilt detector will stop all aggravating movements.

## Negative Braking System

For complete safety, the braking system has to be released before any movements can be made.



## Electrical Emergency Lowering Pump

This feature allows the platform to descend in case of operator illness or machine malfunction.

## Puncture Proof, foam-filled tyres

**SAFETY**

# Working in comfort

Due to our increased attention to these safety issues, improvements have been made to the comfort of the operators' working environment.



## User friendly control panel

A simple design and spacious layout enables the operator to work in comfort.

## Spacious basket

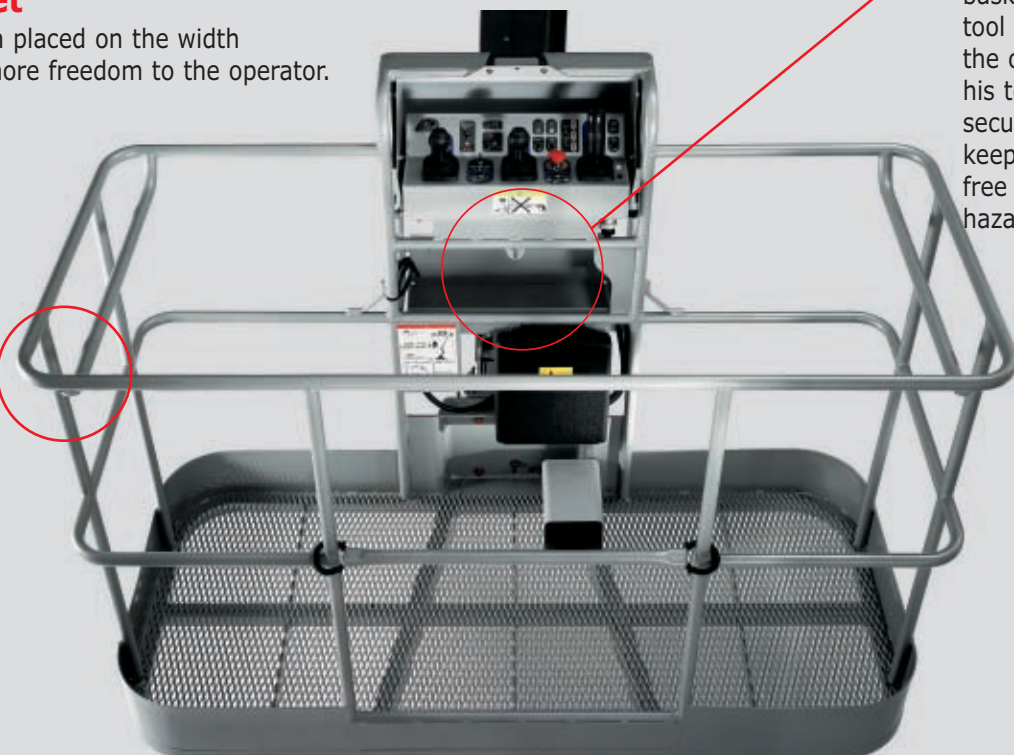
The emphasis has been placed on the width of the basket to give more freedom to the operator.

## Twin handrails

Twin handrails fitted to give additional protection to the operator.

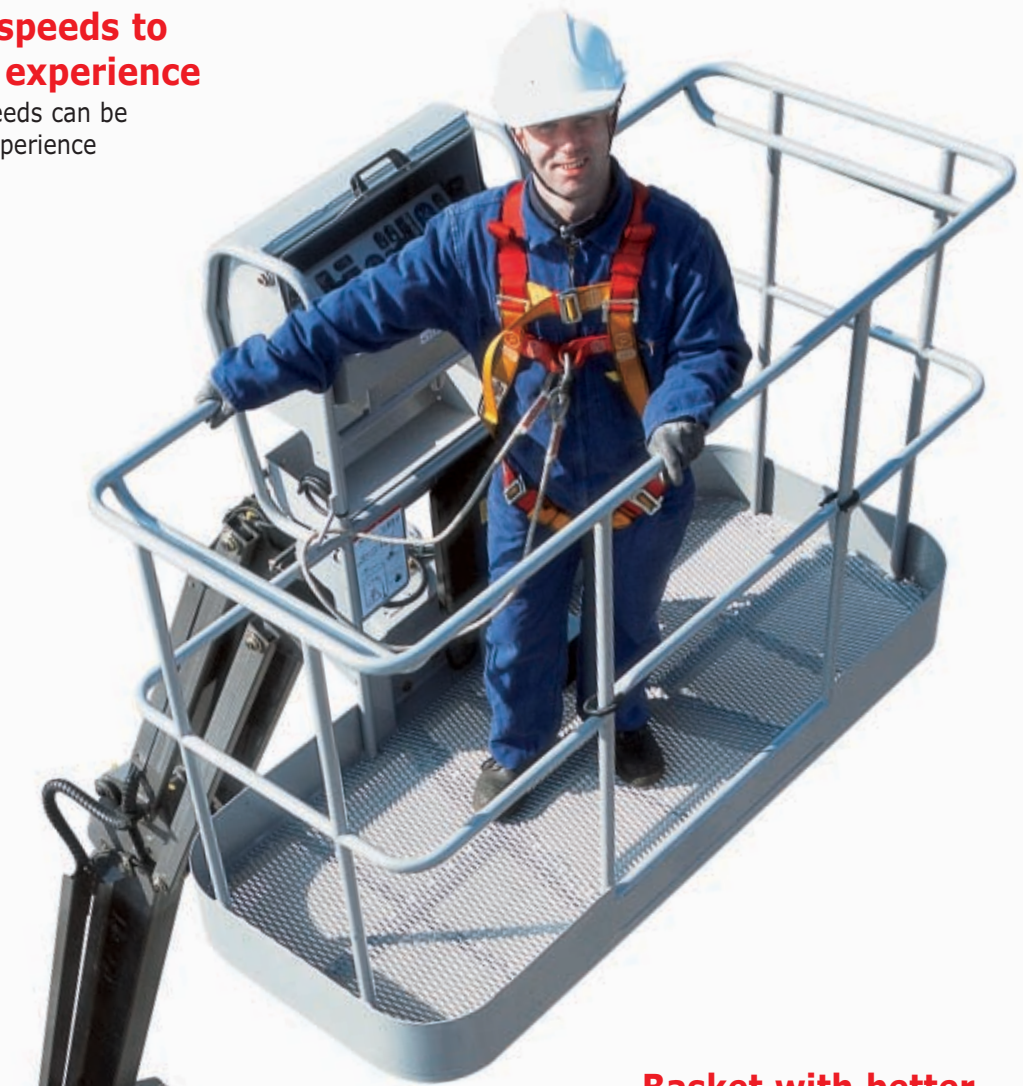
## Tool tray

For practical needs the basket is fitted with a tool tray, this allows the operator to keep his tools safe and secure, plus he can keep his working area free from trips and hazards.



## Choice of working speeds to suit the operator's experience

A choice of three working speeds can be selected depending on the experience of the operator.



## Basket with better visibility

In order to work as safely as possible at height, the basket is fitted with a mesh floor, which increases safety when lowering the machine.



## Stability of the machine

Thanks to the rigidity of the chassis and structure, the operator can work safely and in comfort.

**SAFETY**



**S.W.L.** .....230 kg including 2 people  
**External use** .....wind 45 km/h



**Working height**  
 160 ATJ .....16.25 m  
 180 ATJ .....17.65 m

**Platform floor height**

160 ATJ .....14.25 m  
 180 ATJ .....15.65 m



**Max. outreach/Up and over clearance**  
 160 ATJ .....9.10 m/7.15 m  
 180 ATJ .....10.60 m/7.15 m

**Overall length**

160 ATJ .....7 m  
 180 ATJ .....7.77 m

**Length (transport position)**

160 ATJ .....5 m  
 180 ATJ .....5.77 m

**Overall width** .....2.30 m

**Overall height** .....2.37 m

**Basket size** .....1.80 x 0.80 m

**Ground clearance** .....42.5 cm

**Turning radius ins/outside** .....1.32 m/3.66 m



**Turret rotation** .....350°

**Basket rotation** .....180°

**Jib movement** .....140°



**Engine (Low emission)**

PERKINS 404 C 22 .....45 cv



**Maxi. travel speed** .....5.8 Km/h

**Lifting time** .....40 s



**Gradeability on rough terrain** .....40%

**Max. slope accepted** .....5° ou 9%



**Hydraulic tank** .....54 l.

**Diesel tank** .....52 l.



**Tyres** .....18"

4 wheel drive/4 wheel steer/crab steer



**Weight**

160 ATJ .....7450 kg

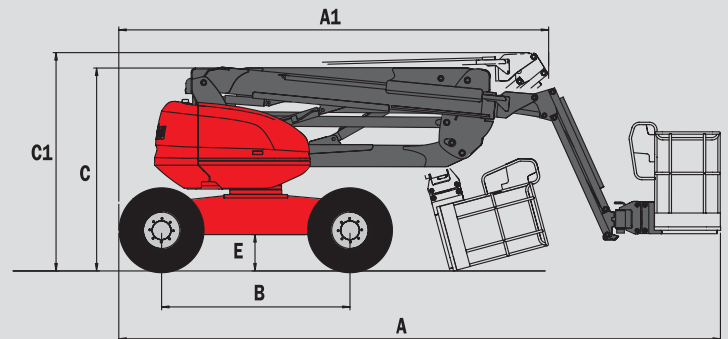
180 ATJ .....8090 kg

**Standard equipment**

- Proportional controls
- 4 simultaneous movements
- Foam filled tyres
- Differential lock
- Limited front axle slip
- Diagnostic tools
- Hour meter
- Klaxon
- Rotating beacon
- Slope and overload alarm in the basket
- Overslope unlocking
- Lifting brackets
- Safety electric pump
- 230 V auxiliary power cable

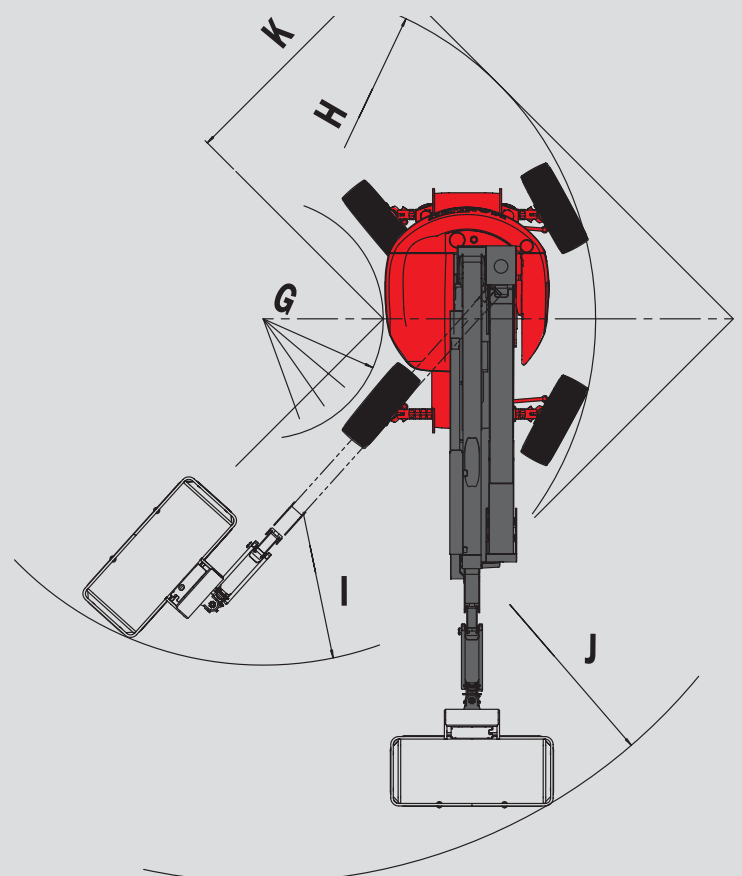
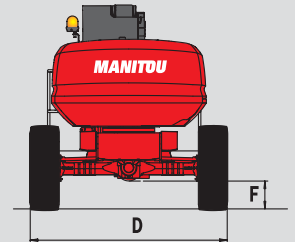
**Options**

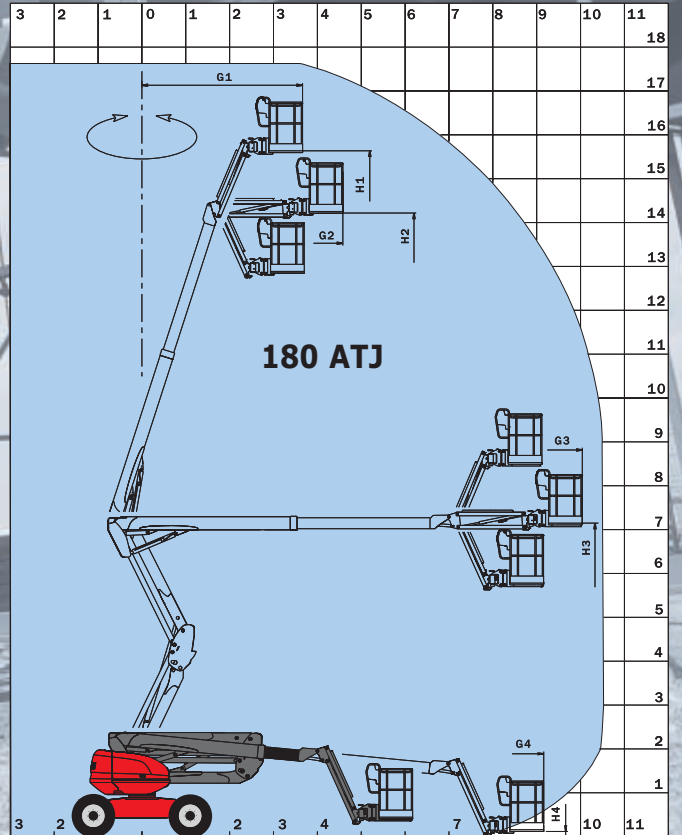
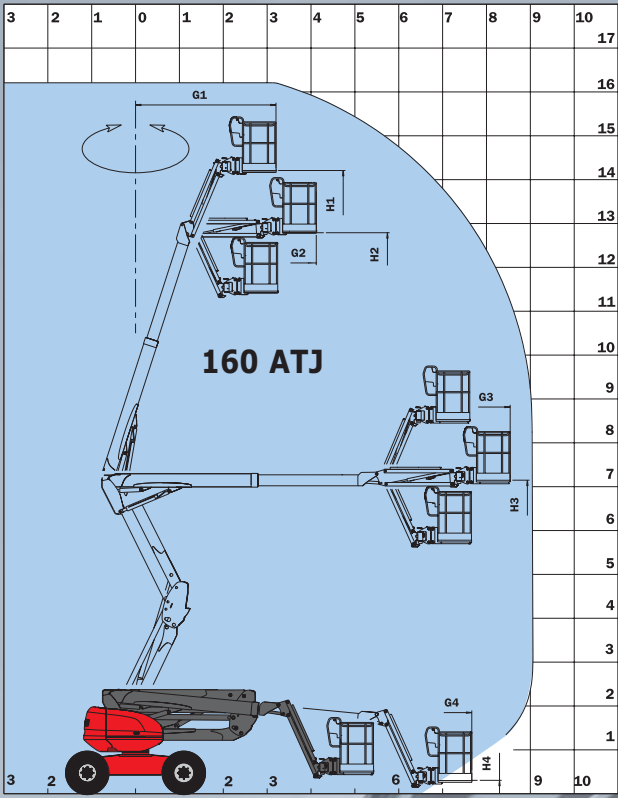
- **Oscillating axle**
- **Continuous rotation**
- **On board generator set**
- Electric plug in platform (230V)
- Air predisposal in the platform
- Water predisposal in the platform
- Working lights
- Customised Painting
- Cold conditions -25°C
- Biodegradable oil
- All motion alarm
- Drive alarm
- Safety harness



	160 ATJ	180 ATJ
A	7025	7775
A1	5020	5770
B	2200	2200
C	2370	2370
C1	2530	2560
D	2300	2300
E	425	425
F	325	325
G	1325	1325
G1	3201	3660
G2	4120	4580
G3	8540	10040
G4	7665	9160
H	3665	3665
H1	14250	15700
H2	12790	14250
H3	7150	7150
H4	305	120
I	3820	4530
J	6215	6875
K	2730	2730

mm





# Manitou, material handling world leader

Inventor of the rough terrain forklift truck, Manitou offers today the most comprehensive range to meet all specific handling and personal lifting requirements :

Telescopic trucks  
**MANISCOPIC**

Rough terrain  
and semi industrial  
masted trucks  
**MANITOU**

Access  
equipment  
**MANIACCESS**

Compact telescopic  
handler  
**Twisco**

Truck mounted forklifts  
**MANITRANSIT**

Backhoe/Loader  
with telescopic boom  
**MANIHOE**

Swinging arm  
and articulated  
wheeled loaders  
**MANILOADER**



## A network of skilled professionals at your service

With a network of 500 service and parts centres in more than 100 countries, Manitou provides an efficient after-sales support based on the expertise of 2000 factory trained technicians.

This publication in no way constitutes an offer and the company reserves the right to alter specification without prior notice.  
The MANITOU models presented in this brochure can be supplied complete with optional equipment attachments.



**MANITOU BF SA**  
B.P. 249 - 44158 Ancenis Cedex - France  
Tél. : 33 2 40 09 10 11 / Export Department Fax : 33 2 40 09 10 97  
www.manitou.com

700295EN

