

KORT INFORMASJON

- Type Wacker WP 1550W
- Størrelse 100 kg
- Platebredde 0,50m
- Platelengde 0,59m
- Drift Bensin
- Egenvekt 88 kg
- Art.nr. 1637

SPESIFIKASJON

PLATEVIBRATOR – 100 KG

Spesielt for komprimering av asfalt og grus/sand for gangveier, veier, parkeingsplasser, samt innen hage- og landskapsanlegg.

Dybdevirkning inntil 12 cm i sand/grus.

Kan leveres med gummiplate for komprimering av belegningsstein.

Spesifikasjoner – Wacker WP 1550W

Transportlengde

Transportbredde 0,50 m

Transporthøyde 0,97 m

Platelengde 0,59 m

Platebredde 0,50 m

Laveste arbeidshøyde 0,63 m

Maks. sentrifugalkraft 15 kN

Vibrasjonsfrekvens 97 Hz

Komprimeringsområde 870 m²/t.

Kompr.dybde maks. [Se egen tabell](#)

Klatreevne 30 %

Vanntank 10,40 liter *

Maks.hastighet forover 29 m./min. *

Maks.hastighet bakover —

Revers Nei

Drift Bensin

Motor Wacker

Drivstofftank	3,60 liter
Forbruk	1,52 ltr./t.
Løfteøre	Ja
Egenvekt	88 kg

*** Avhengig av type masse**

Tilbehør

Vanntank	For asfalt
Gummiplate	For belegningsstein

Distributed By:



www.onesourcerental.com

Vibratory Plates

WP 1540

WP 1550

WP 1540A

WP 1550A

WP

Premium plates feature a durable baseplate for various soil applications

»» These premium vibratory plates feature a tough, wear resistant, ductile iron baseplate offering high strength and shock resistance. This patented computer designed baseplate has a tapered bottom and edges for high speed and excellent maneuverability. Designed for the compaction of granular and mixed materials with some cohesive content in confined areas such as parking lots, highway and bridge construction, next to structures, curbs and abutments. ««



ADDITIONAL ADVANTAGES:

- **Lightweight, high strength aluminum components** including the engine console and beltguard have been combined for reduced weight and easy machine handling.
- **Straight, center-mounted guide handle** offers superior maneuverability and can be lowered within inches of the surface to operate plate under obstacles and form work.
- **High inertia clutch with adjustable shims** ensures smoother operation, longer belt life, and simplified belt adjustment.
- **Many lifting points and front lift cage** offer easier loading and unloading for operator convenience.



**WACKER
NEUSON**

Technical Data

		WP 1540	WP 1550	WP 1540A	WP 1550A
Length x width x height					
Length x width x height (handle in working position)	in (mm)	34.5 x 15.5 x 38 (875 x 400 x 965)	34.5 x 19.5 x 38 (875 x 500 x 965)	34.5 x 15.5 x 38 (875 x 400 x 965)	34.5 x 19.5 x 38 (875 x 500 x 965)
Lowest working height	in (mm)	20 (510)	20 (510)	20 (510)	20 (510)
Size of baseplate (l x w)	in (mm)	23 x 15.5 (585 x 400)	23 x 19.5 (585 x 500)	23 x 15.5 (585 x 400)	23 x 19.5 (585 x 500)
Operating weight	lb (kg)	190 (86)	194 (88)	185 (84)	190 (86)
Shipping weight	lb (kg)	205 (93)	209 (95)	200 (91)	205 (93)
Shipping size (l x w x h)	in (mm)	33 x 21.3 x 27 (840 x 540 x 685)	33 x 21.5 x 27 (840 x 545 x 685)	33 x 21.3 x 27 (840 x 540 x 685)	33 x 21.5 x 27 (840 x 545 x 685)
Compacted area	ft ² (m ²)/h	up to 6590 (612)	up to 9750 (905)	up to 6590 (612)	up to 9750 (905)
Forward speed	ft (m)/min	up to 100 (30)	up to 100 (30)	up to 85 (26)	up to 100 (30)
Gradeability	%	up to 30	up to 30	up to 30	up to 30
Vibration frequency	vpm (Hz)	6000 (100)	6000 (100)	6000 (100)	6000 (100)
Centrifugal force	lb (kN)	3375 (15)	3375 (15)	3375 (15)	3375 (15)
Engine type		air-cooled, 4 cycle, single cylinder, gasoline engine			
		Wacker Neuson WM 170	Wacker Neuson WM 170	Honda	Honda
Displacement	in ³ (cm ³)	10.3 (169)	10.3 (169)	9.9 (163)	9.9 (163)
Max. power output	hp (kW)	4 (2,9)	6 (4,5)	5.5 (4,1)	5.5 (4,1)
Operating speed	rpm	3600	3900	3600	3600
Fuel tank capacity	qt (l)	3.8 (3,6)	3.8 (3,6)	3.9 (3,7)	3.9 (3,7)
Fuel consumption	qt (l)/h	1.6 (1,5)	1.6 (1,5)	1.9 (1,8)	1.9 (1,8)
Power train		Power transmission from engine via centrifugal clutch and V-belt onto exciter which transmits centrifugal force onto baseplate.			

Standard Package

Vibratory Plates

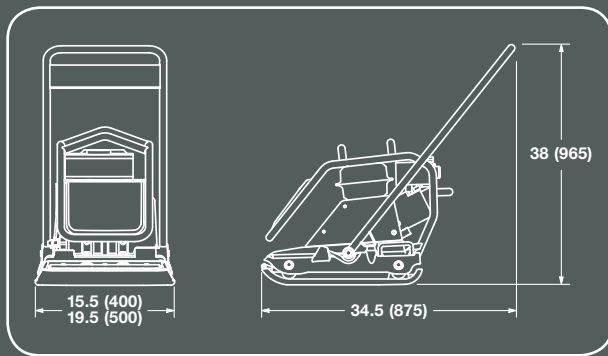
WP 1540
WP 1550
WP 1540A
WP 1550A

includes operator's manual and parts book

Model Guide

WP = Wacker Neuson plate, 15 = Centrifugal force in kN
40 or 50 = Width of baseplate in centimeters
Standard models feature WM 4-cycle engines
A = Honda

Please refer to our Price List and Ordering Guide for complete accessory information.



Specifications may change due to continuous product development. Users are advised to consult Wacker Neuson's Operator's Manual and website for specific information regarding the engine power rating. Actual power output may vary due to conditions of specific use.



Distributed By:

One Source
RENTALS • SALES • SERVICE

www.onesourcerental.com