



5055e
Product



Kramer 5055e - zero emissions, full power

CO2 emissions, noise and soot particles from diesel engines were yesterday - the Kramer 5055e is the first all-wheel-controlled full-electric wheel loader. What is new is the cost-efficient and, above all, emission-free electrical drive, which makes it possible to work in buildings and noise-sensitive areas. The 5055e is very compact and extremely manoeuvrable due to its four-wheel steering. An electric motor is installed for the travel drive, which provides high performance with good resolution.

- Ecological benefits: in addition to a lower CO2 footprint there is no particulate pollution for users and the environment, thereby a sparing use of resources is ensured.
- Low noise level: less noise pollution for sensitive areas such as hotel premises, city centers, parks, construction sites
- No exhaust emissions: easily work indoors, tunnels - complete zero emissions
- Economic benefits: future-oriented technology enables low maintenance costs and rapid amortization of the additional costs



Technical specifications

Operating data

| | |
|-----------------------------------|---------------------|
| Bucket capacity (standard bucket) | 0,65 m ³ |
| Operating weight | 4.130 kg |

Engine / Motor

| | |
|--------------------------------------|---------------------|
| Engine / Motor manufacturer | JULI / Jungheinrich |
| Engine performance drive train | 15 kW |
| Engine performance working hydraulic | 22 kW |
| Emission standards stage (standard) | emission-free |

Power transmission

| | |
|---------------------|--|
| Traction drive | continuously adjustable elec - tric drive system |
| Travel speed (max.) | 16 km/h |
| Standard tires | 12-18 |
| Differential lock | 100% VA |
| Max. steering angle | 2x38 ° |

Steering and operating hydraulics

| | |
|------------------------------|----------|
| Max. pump discharge capacity | 54 l/min |
| Max. pump pressure | 235 bar |

Kinematics

| | |
|--------------------------------|--------------|
| Design system | P-kinematics |
| Tipping load (standard bucket) | 2.500 kg |
| Payload S=1.25 (pallet forks) | 1.750 kg |
| Tilt-in angle | 48 ° |
| Tip-out angle | 42 ° |

Filling capacities

| | |
|--------------------|------|
| Hydraulic oil tank | 40 l |
|--------------------|------|

Sound emission *

| | |
|----------------|----------|
| Measured value | 76 dB(A) |
|----------------|----------|

Vibrations **

| | |
|---|------------------------|
| Total vibrations value of the upper body extremities | < 2,5 m/s ² |
| Highest effective value of weighted acceleration for the body | < 0,5 m/s ² |

Battery

| | |
|-----------------------------------|--------|
| Supply voltage of battery charger | 240 V |
| Battery voltage | 80 V |
| Rated capacity | 416 Ah |



| | |
|--|----------|
| Battery weight | 1.230 kg |
| Charging time | 6 - 7 h |
| Running time (hard continuous use) *** | 3 h |
| Running time (normal continuous use) *** | 5 h |

* Information: Measured according to the requirements of the standard DIN EN 474-1 and directive 2000/14/EG. Measuring station: asphalted surface.

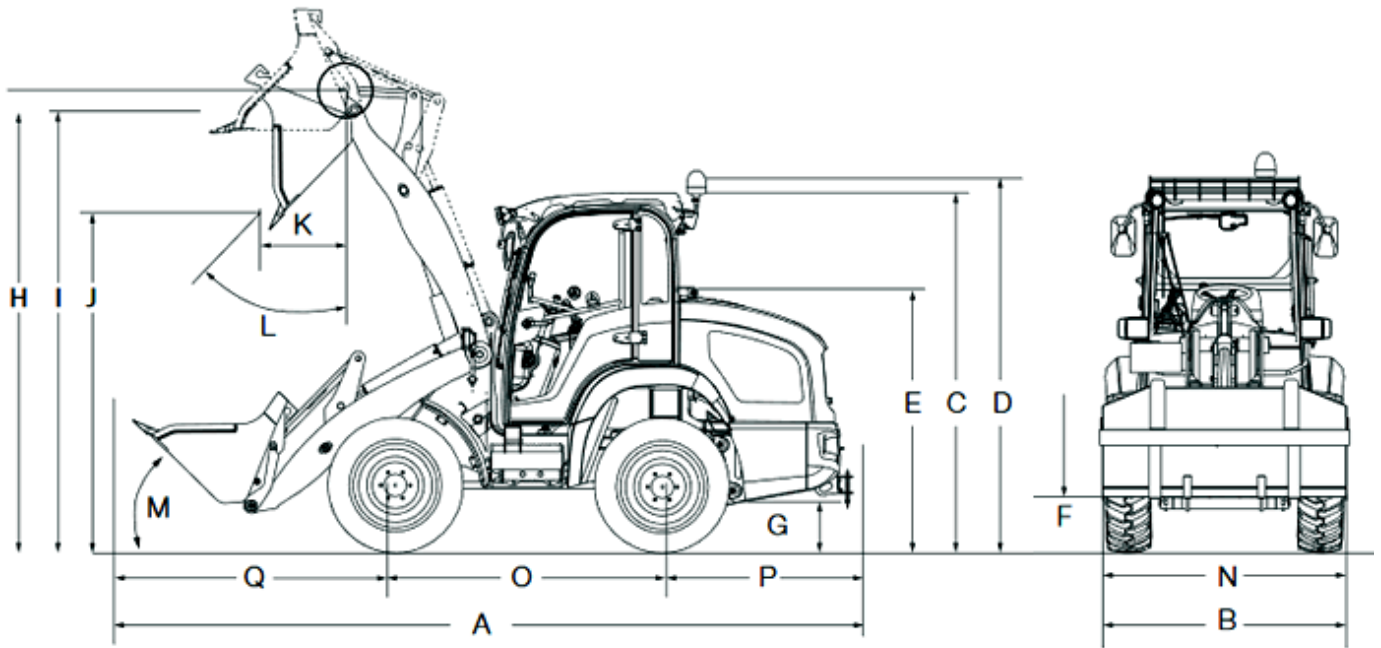
** Uncertainty of the vibration measuring devices according to the requirements of standards DIN EN 474-1 and EN 12096. Please instruct or inform the operator of possible dangers caused by vibrations.

*** Determined using Kramer test cycle.

Further technical data can be found in the brochure in the info-material section.



Dimensions



S = standard loader unit

L = extended loader unit

| | | | |
|---|--|----------|----------|
| A | Overall length with bucket and towing device | 4.950 mm | 5.140 mm |
| B | Overall width | 1.650 mm | 1.650 mm |
| C | Total height with cabin | 2.390 mm | 2.390 mm |
| D | Total height with FOPS protection grille | 2.470 mm | 2.470 mm |
| E | Total height upper edge of hood | 1.700 mm | 1.700 mm |
| F | Ground clearance in transport position of the loading installation | 250 mm | 250 mm |
| G | Ground clearance | 280 mm | 280 mm |
| H | Bucket pivot point | 3.050 mm | 3.300 mm |
| I | Overhead loading height | 2.880 mm | 3.280 mm |



| | | | |
|---|--|----------|----------|
| J | Dumping height | 2.350 mm | 2.620 mm |
| K | Dump reach | 320 mm | 410 mm |
| L | Tip-out angle | 42 ° | 42 ° |
| M | Tipping angle | 48 ° | 51 ° |
| N | Track width | 1.262 mm | 1.262 mm |
| O | Wheelbase | 1.850 mm | 1.850 mm |
| P | Distance center of rear wheel to rear | 1.320 mm | 1.320 mm |
| Q | Distance from the front wheel center to the front edge of the bucket | 1.780 mm | 1.970 mm |
| - | Turning radius at the outer edge of the wheels | 2.700 mm | 2.700 mm |
| - | Turning radius at the outer edge of the bucket | 3.550 mm | 3.780 mm |

Note: All dimensions refer to the equipment with standard bucket and standard tires.

Please note

that product availability can vary from country to country. It is possible that information / products may not be available in your country. More detailed information on engine power can be found in the operator's manual; the stated power may vary due to specific operating conditions.

Subject to alterations and errors excepted. Applicable also to illustrations.

Copyright © 2017 Kramer-Werke GmbH.